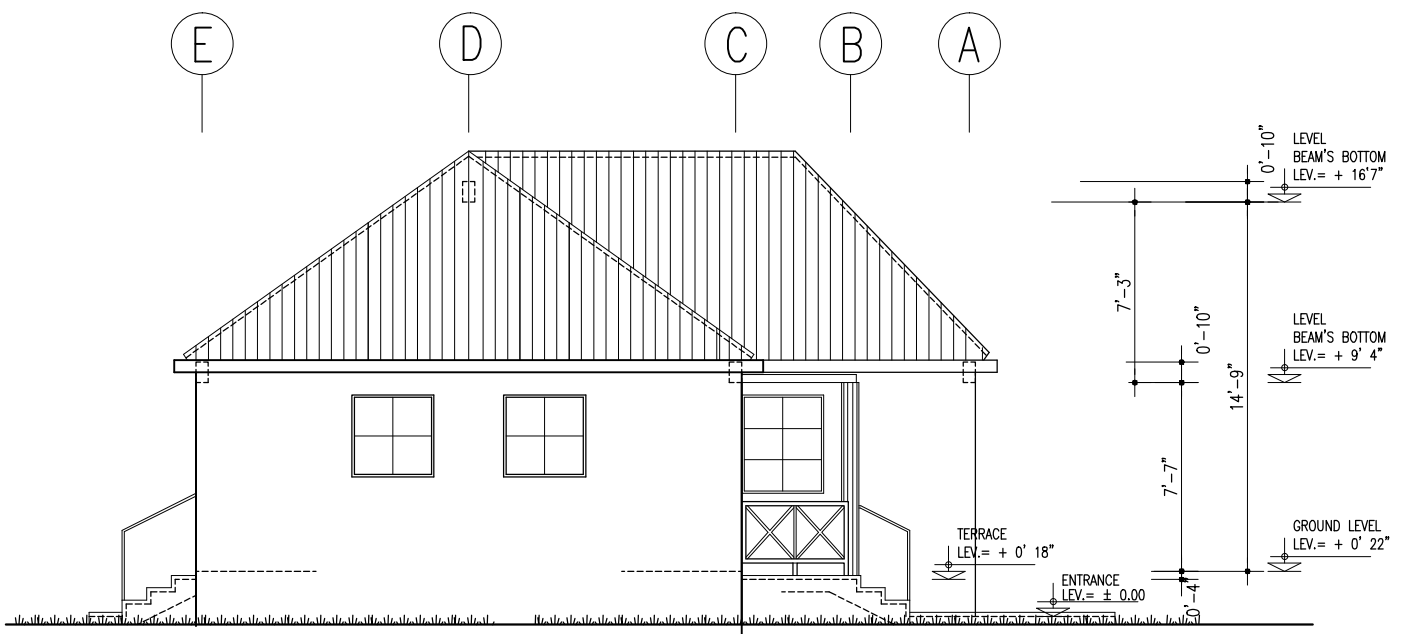


REAR FACADE
SC.: 1:75



LEFT SIDE FACADE
SC.: 1:75

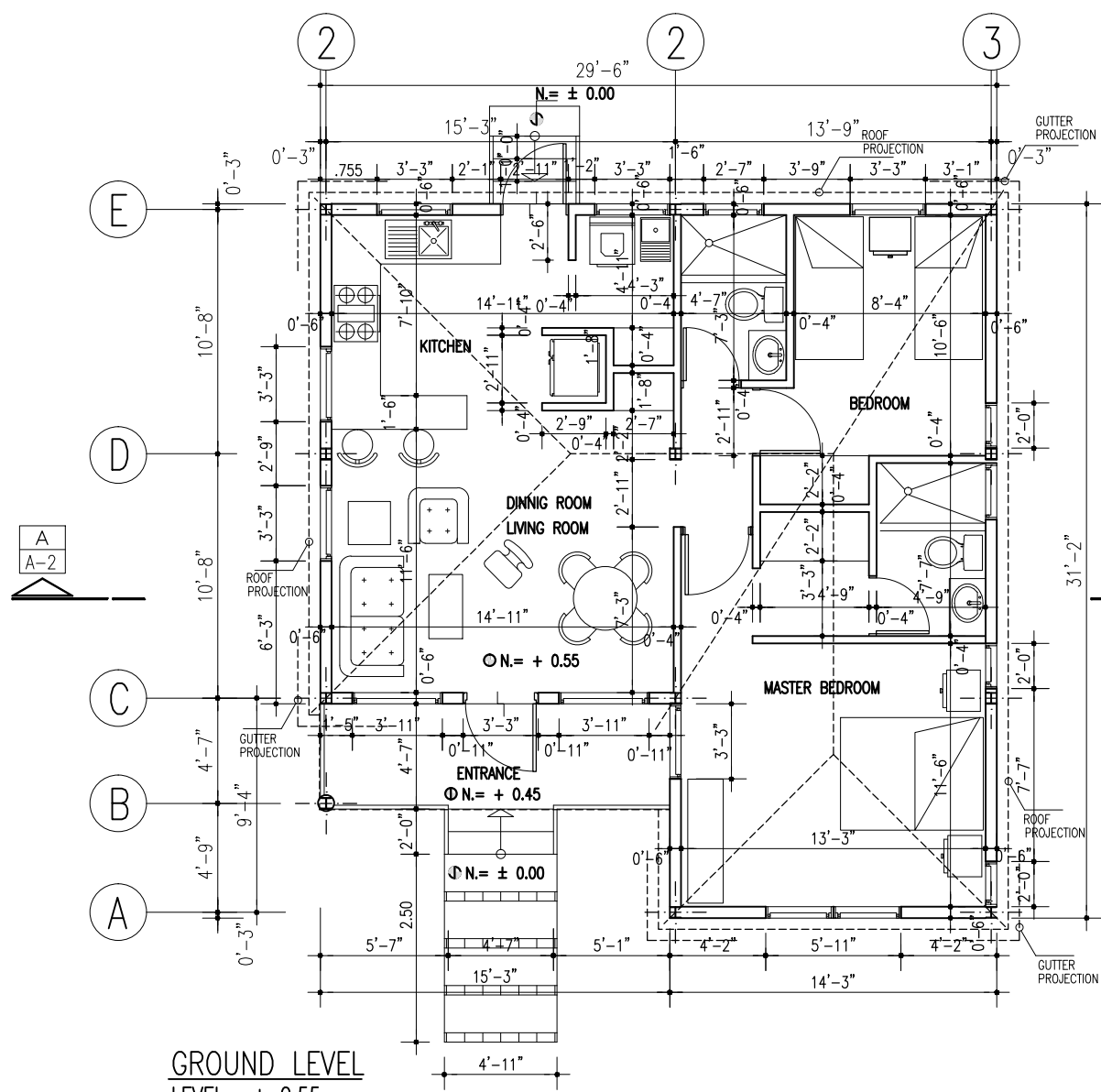


GOVERNMENT OF ANTIGUA AND BARBUDA
MINISTRY OF HOUSING, CULTURE AND SOCIAL TRANSFORMATION

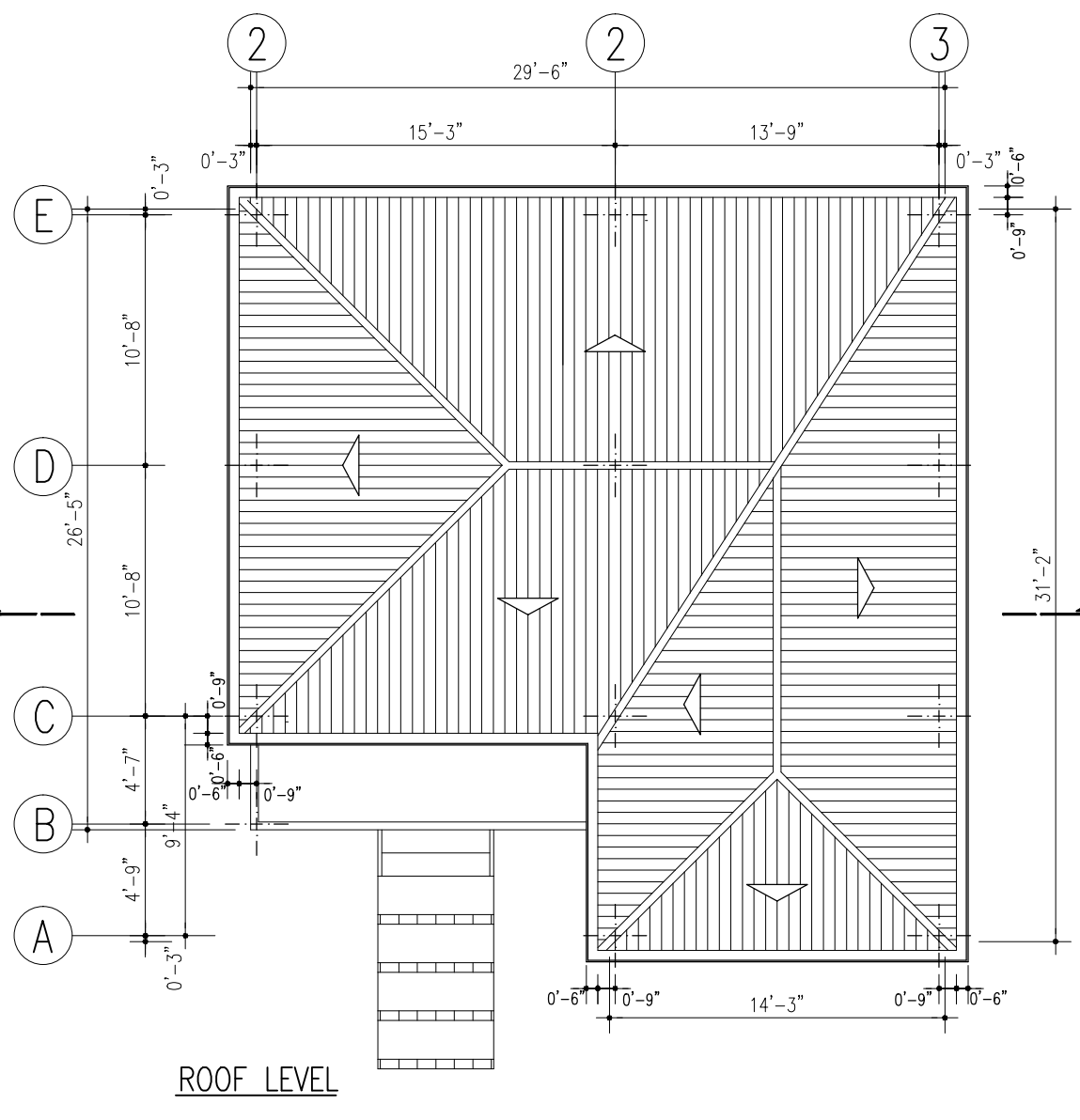
PROJECT AND CONTENT
**RESIDENTIAL COMMUNITY "NORTH SOUND"
PHASE 1**

TITLE HOUSE MODEL-CUYAGUA FACADES		SCALE 1:75	DATE MAY 2009	NO. SHEETS 3/3
PROJECT BY Arch. FELIX PAVAN	ENGINEER MC KIT ENGINEERING	SCALE 1:75	DATE MAY 2009	NO. SHEETS 3/3

NO. SHEETS
**A
A-3**



GROUND LEVEL
 LEVEL = + 0.55
 SC.: 1:75



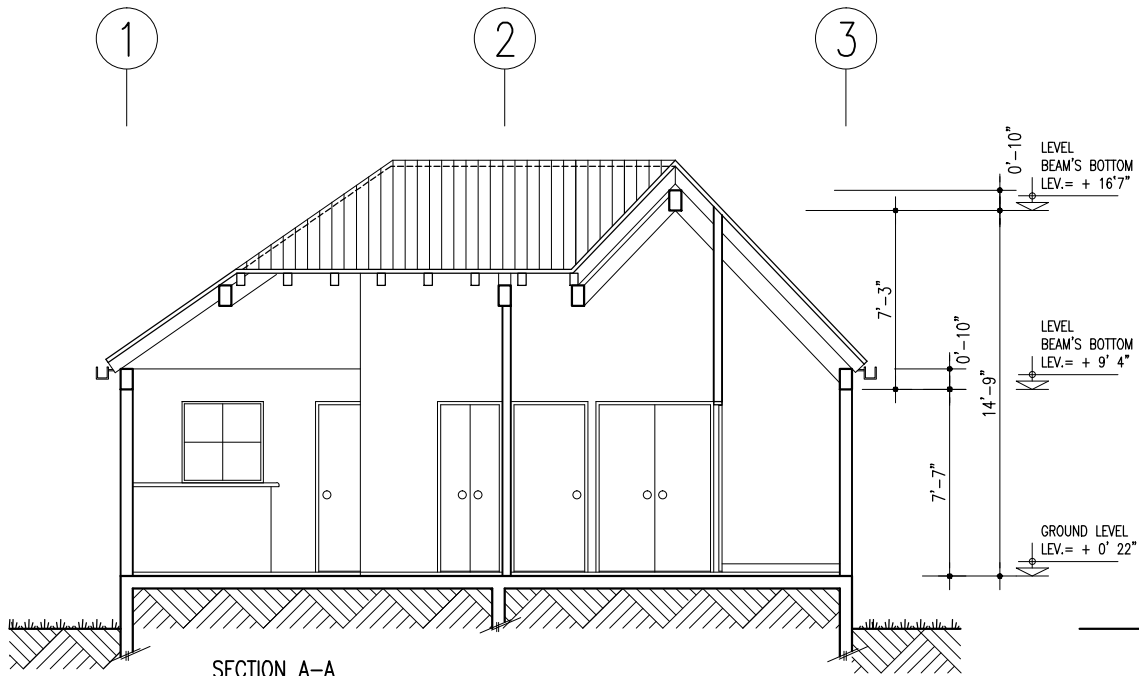
ROOF LEVEL
 SC.: 1:75



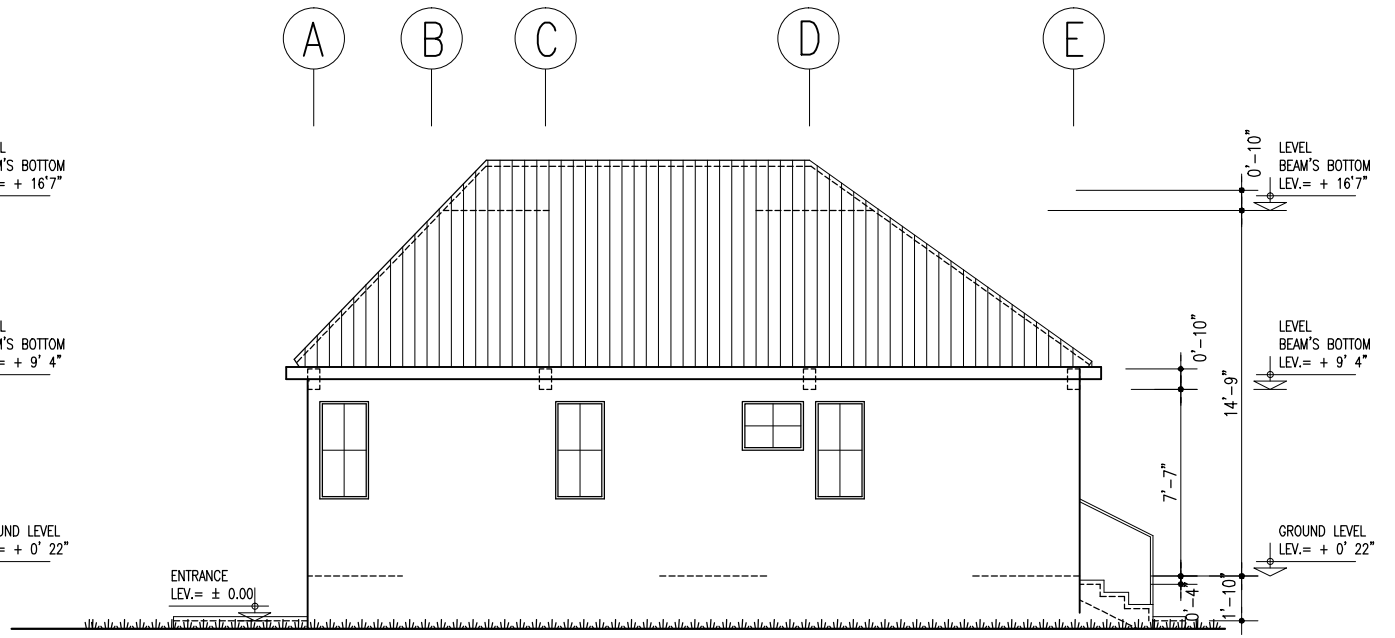
GOVERNMENT OF ANTIGUA AND BARBUDA
 MINISTRY OF HOUSING, CULTURE AND SOCIAL TRANSFORMATION

PROJECT AND CONTENT
RESIDENTIAL COMMUNITY "NORTH SOUND"
PHASE 1

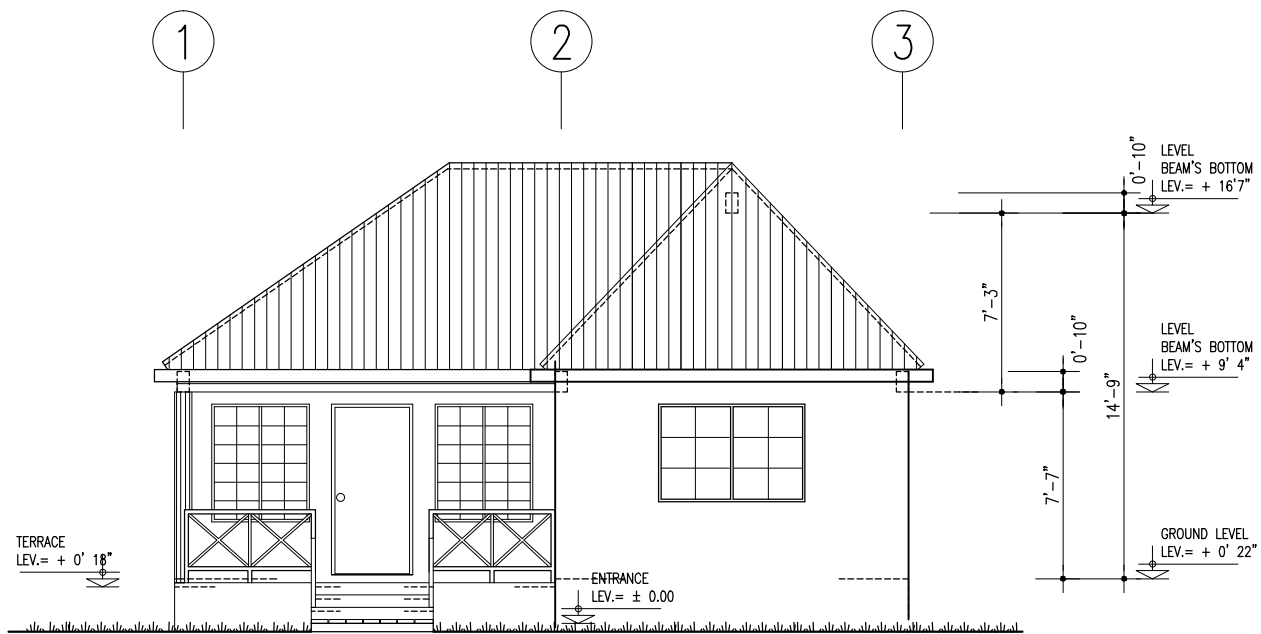
TITLE HOUSE MODEL-CUYAGUA GROUND LEVEL AND ROOF LEVEL		DATE MAY 2009	SCALE 1:75	NO. SHEETS A-1	TOTAL SHEETS 1/3
PROJECT BY Arch. FELIX PAVAN	ENGINEER MC KIT ENGINEERING				



SECTION A-A
SC.: 1:75



RIGHT SIDE FACADE
SC.: 1:75



FRONT FACADE
SC.: 1:75



GOVERNMENT OF ANTIGUA AND BARBUDA
MINISTRY OF HOUSING, CULTURE AND SOCIAL TRANSFORMATION

PROJECT AND CONTENT:

RESIDENTIAL COMMUNITY "NORTH SOUND"
PHASE 1

TITLE:

HOUSE MODEL-CUYAGUA
SECTION AND FACADES

PROJECT BY:
Arch. FELIX PAVAN



DATE:

SCALE:
1:75

DATE:
MAY 2009

NO.:

A

NO. SHEET:

A-2

NO. TOTAL:

2/3

TOTAL PLANS: